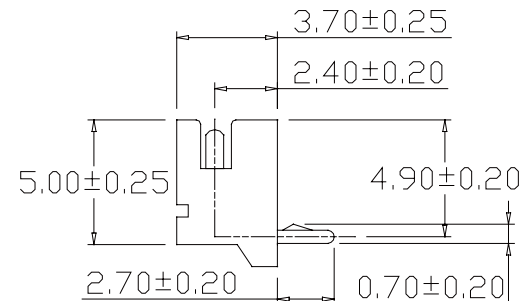
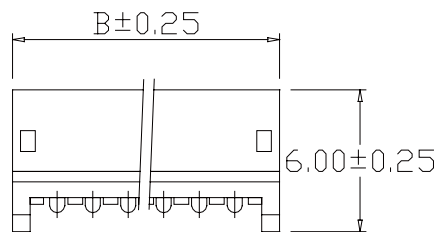
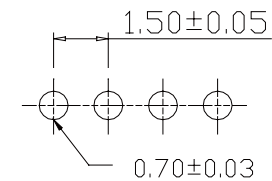
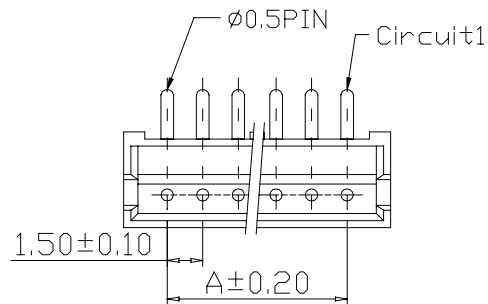


BY	CHK	REVISION RECORD MODIFICATIONS	DATE	REV.
ALLEN		RELEASE TO PRODUCTION	2007,9,3	1.0

SPECIFICATIONS

Current Rating: 1A AC,DC
 Voltage Rating: 100V AC,DC
 Temperature Range: -25°C ~ +85°C
 Contact Resistance: 20mΩ Max
 Insulation Resistance: 500mΩ Min
 Withstanding Voltage: 500V AC/minute
 Pin Material: Brass/Tin-plated
 Material: Nylon 66, UL94V-0
 Pantone Color: 7528C

PART NO.	Dimensions	
	A	B
1500R-02TW-L	1.50	4.50
1500R-03TW-L	3.00	6.00
1500R-04TW-L	4.50	7.50
1500R-05TW-L	6.00	9.00
1500R-06TW-L	7.50	10.50
1500R-07TW-L	9.00	12.00
1500R-08TW-L	10.50	13.50
1500R-09TW-L	12.00	15.00
1500R-10TW-L	13.50	16.50
1500R-11TW-L	15.00	18.00
1500R-12TW-L	16.50	19.50
1500R-13TW-L	18.00	21.00



PartNo.: 1500R-XXTW-U

APPRO	CHECK	DRAWN	PART NO.	Part No.:1500R-XXTW-U	DESCRIPTION	
			ITEM NO.			
			DRAW NO.			
			UNIT	mm SCALE no		
			TOLER	NO.	Tel:0769 22020068 Fax: 0769 22020069 E-mail: sales@vigortec.com	